

**GUIDELINES FOR ORGANIZING
FCI INTERNATIONAL
RACING AND COURSING EVENTS**

1.1.2022

SECRETARIES



General

These guidelines are intended as “memory rules” for the coursing- and racing-secretaries. Alongside these guidelines, you should also always read the valid rulebook.

At international coursing and racing events there are two different classes, CACIL-class and CSS-class. The dogs must have a CACIL-license or CSS-license, issued by the national canine organization. The class must be marked on the license card.

CACIL-class

- the dog must have CACIL-license, (license requirements: 2 x “very good” from dog shows *(from age of 12 months onwards at least 1 “very good” (in any class) on a national CAC dog show or an international FCI-CACIB dog show / at least 1 “very good” from intermediate, open, working or champion class on an international FCI-CACIB dog show. Judges must have different nationalities.)*)
- exception for the show results: transitional time until 31.12. 2022 *(1 x “very good” from in an adult class at an int. FCI-CACIB dog show)*
- with the CACIL-license the dog can only participate in the CACIL-class
- application for the CACIL: yes / no

CSS-class

- the dog must have a CSS-license (no dog show result requirements)
- with the CSS-license the dog can only participate in the CSS-class
- dogs from the FCI group V can only participate in CSS-class
- no FCI-CACIL can be given to CSS-licensed dog

Approved results/categories / abbreviations for the license book

- placement / scoring result
- withdrawal by owner / handler (**WDR**)
- medical withdrawal / dismiss (**MWDR**) confirmed by a veterinarian
- dismiss (**DISM**)
- disqualification (**DISQ**)

Notification of disqualification / dismiss

- disqualification must be clearly noted in the license card mentioning the type of event
- following abbreviations must be used: **DISQ/R** (racing) or **DISQ/C** (coursing), check the procedure from §1.8.3
- dismiss must be clearly noted in the license card mentioning the type of event
- following abbreviations must be used: **DISM/R** (racing) or **DISM/C** (coursing), check the procedure from §1.8.3

Racing regulations

With entries you must have:

- license information CACIL-license or CSS-license
- apply for the CACIL yes / no
- dog's times from the last 2 racing events with the distances which the dog has run e.g. time 1. 22.06s / 350m and time 2. 21.94s/350m
- if the dog has not participated in 2 racing events, the times of the license runs are included
- If there are no times available, the dog is placed on the second place of the middle preliminary run

Minimum number of dogs

- minimum number of participating dogs per breed is **3**
- minimum number of participating dogs per breed or per (sub-) class to award an achievement and a CACIL certificate is **6**

Achievements and CACIL qualification

The dog:

- must be one of the first six ranked dogs
- must be in the first half of its class or breed ranking
- must have a time that is maximum 20% slower than the track record time for that breed
- if a track record time is not available for the breed, see the CSS time list

Methods of progress

Every dog runs:

- 1 Preliminary run
- 1 Final run

Preliminary run

- minimum of 3 dogs are running together, if necessary 4-5 dogs are allowed
- 6 dogs in 1 run are not allowed
- The fastest time of the participating dog from his last 2 racing events is taken into consideration to place the dog in the preliminary run
- *If the organizers track length differs to the one of the last times of a dog, the times must be calculated.*

For example:

Dogs last two times:

22,31s / 350 m, 23,02 s/ 365 m

calculated time for 350m: $23,02:365\text{ m} = 0.063$, $0.063 \times 350\text{ m} = \underline{22,05}$, so the fastest time of the dog in the last 2 racing events is 22,05s/350 m

- the organizer compiles the preliminary runs of the classes and / or CSS sub-classes with the ZIG-ZAG system as follows:

<u>START 1</u>	<u>START2</u>	<u>START 3</u>	<u>...</u>
Dog 1	Dog 2	Dog 3	
Dog 4	Dog 5	Dog 6	
Dog 7	Dog 8	...	

Final run

- the organizer compiles the final run(s) with the ZIG-ZAG system with the fastest time of each dog from the preliminary run
- can be organized with A, B, C, final runs
- In a final run a minimum of 3 and a maximum 6 dogs run together

Class separation

- **a)** 6 or more participating dogs in the CACIL class and in the CSS class => CACIL class and CSS class are running separately with separate ranking
- **b)** more than 6 participating dogs in total AND 5 or less participating dogs in the CACIL class AND/OR 5 or less participating dogs in the CSS class => mixed CACIL-CSS class
- **c)** 3,4 or 5 participating dogs in breed => CACIL class and CSS class run together with 1 ranking, no gender separation, no achievements or certificates

CACIL class gender separation

- CACIL class can only be divided by gender
- 6 or more males and 6 or more females => the genders must run separately with separate ranking
- the CACIL certificate can be given for both genders (if the dogs fulfill the requirements)

CSS sub-class separations: gender, time and weight

CSS (or mixed CACIL-CSS) class of a breed can be divided in CSS sub classes

- must have at least 6 participating dogs
- separation by => gender or time or weight
- the CACIL and Res CACIL certificate can be given for CACIL licensed dog (if the dogs fulfill the requirements)

a) Gender separation

- preliminary runs as 2.1.3.1.
- 6 or more males and 6 or more females => the genders run separately with separate ranking
- **NO** further separation of the gender sub-classes is possible
- final runs as 2.1.3.1.

b) Time separation

- preliminary runs as 2.1.3.1.
- gender separation is **NOT** possible
- organizer divides the dogs for the final runs into different time classes according to the number of participating dogs
- final runs as 2.1.3.1.

c) Weight separation

The dogs are weighed at the vet check before the start of the event

- preliminary runs as 2.1.3.1.
- gender separation is **NOT** possible
- organizer divides the dogs for the final runs into different weight classes according to the number of participating dogs
- final runs as 2.1.3.1.

When dividing dogs into different weight classes, the organizer may, if necessary (according to the safety of the dogs), deviate from the number of dogs in different weight classes

Class certificates and achievements (per gender if there is a gender separations)

2.2.1.1 a)

CACIL class

- “CACIL and Res CACIL” certificate => to fastest and 2nd fastest dog who has applied it, and if the dogs fulfill the requirements (2.1.2.)
- “(venue) Racing CACIL Winner and Res CACIL Winner” => for the dog who wins the breeds CACIL class and for the dog who becomes on the 2nd place

CSS class

- “(venue) Racing CSS Winner and Res CSS Winner” => for dog at final who wins the breeds CSS class and for the dog who becomes on the 2nd place

Breed achievements (fastest dog of both classes):

- if the dogs fulfill the requirements (2.1.2.)
- “(venue) Racing Best of Breed Winner”
- “(venue) Racing Best of Opposite Sex Winner” (if there is gender separation)

2.2.1.1 b)

Mixed CACIL-CSS class

- “CACIL and Res CACIL” certificate => to fastest and 2nd fastest CACIL licensed dog who has applied it, and if the dogs fulfill the requirements (2.1.2.)
- “(venue) Racing CACIL Winner and Res CACIL Winner” if at least 1 or 2 CACIL licensed dog(s) participate(s) => per gender if there are gender separation and if the dogs fulfill the requirements (2.1.2.)
- “(venue) Racing CSS Winner and Res CSS Winner” if at least 1 or 2 CSS licensed dog(s) participate(s) => per gender if there are gender separation and if the dogs fulfill the requirements (2.1.2.)
- announced time or weight sub-class separation for this breed and at least 12 participating dogs => CACIL and CSS class achievements are not awarded but replaced by CSS sub-class achievements
- “(venue) Racing Best of Breed Winner”
- “(venue) Racing Best of Opposite Sex Winner” (if there is gender separation)

2.2.1.1 c)

3,4,or 5 participating dogs of the breed => CACIL and CSS class are running together

- No achievements or certificates are awarded

CSS sub-class

2.2.1.3 a) Gender separation

- “(venue) Racing CSS Winner and Res CSS Winner” => for the dog in the final who wins the breeds CSS sub-class and for the dog who becomes on the 2nd place (per gender)

2.2.1.3 b) Time separation

- “(venue) Racing CSS and Racing Res CSS <<time of the winner>> class winner” (no gender separation)

2.2.1.3 c) Weight separation

- “(venue) Racing CSS and Racing Res CSS <<average weight of the class>> class winner” (no gender separation)

Coursing Regulations

With entries you must have:

- license information CACIL-license or CSS-license
- apply for the CACIL yes / no

Minimum number of dogs

- minimum number of participating dogs per breed is **2**
- minimum number of participating dogs per breed, per class and/or gender to award an achievement and a CACIL certificate is **6**

Achievements and CACIL qualification

The dog:

- must be one of the first six ranked dogs
- must be in the first half of its class or breed ranking
- must be awarded at least 75% of the maximum points

Class and gender separation – achievement awarding

Best in Field

- for an event day “(venue)” Coursing Best in Field” => to the dog of all breeds with the highest points of the day

Class separation

- **a)** 6 or more participating dogs in the CACIL class and in the CSS class => CACIL class and CSS class are running separately with separate ranking
6 or more males and 6 or more females => the genders are running separately with separate ranking
- **b)** more than 6 participating dogs in total AND 5 or less participating dogs in the CACIL class AND/OR 5 or less participating dogs in the CSS class => mixed CACIL-CSS class
6 or more males and 6 or more females => the genders are running separately with separate ranking
- **c)** 2,3,4 or 5 participating dogs in breed => CACIL class and CSS class are running together with 1 ranking, no gender separation, no achievements or certificates

Class certificates and achievements (per gender if there is a gender separations)

3.3.3.2 a)

CACIL class

- “CACIL and Res CACIL” certificate => to the dog who has the highest points and to the dog who has 2nd highest points and applied for the CACIL and fulfills the requirements (3.3.2.)
 - “(venue)” Coursing CACIL Winner and Res CACIL Winner” => for the dog who wins the breeds CACIL class and for the dog who becomes on the 2nd place

CSS class

- “(venue) Coursing CSS Winner and Res CSS Winner” => for the dog who wins the breeds CSS class and for the dog who becomes on the 2nd place

Breed achievements (dog with highest points of both classes):

- if the dog fulfills the requirements (3.3.2.)
- “(venue) Coursing Best of Breed Winner”
- “(venue) Coursing Best of Opposite Sex Winner” (if there is gender separation)

3.3.3.2 b)

Mixed CACIL-CSS class

- “CACIL and Res CACIL” certificate => to the CACIL licensed dog with highest points and with 2nd highest points, who has applied it and fulfills the requirements (3.3.2.)
- “(venue)” Coursing CACIL Winner and Res CACIL Winner” if at least 1 or 2 CACIL licensed dog(s) participate(s) => given per gender if there is a gender separation and if the dogs fulfill the requirements (3.3.2.)
- “(venue)” Coursing CSS Winner and Res CSS Winner” if at least 1 or 2 CSS licensed dog(s) participate(s) => given per gender if there is gender separation and if the dogs fulfill the requirements (3.3.2.)

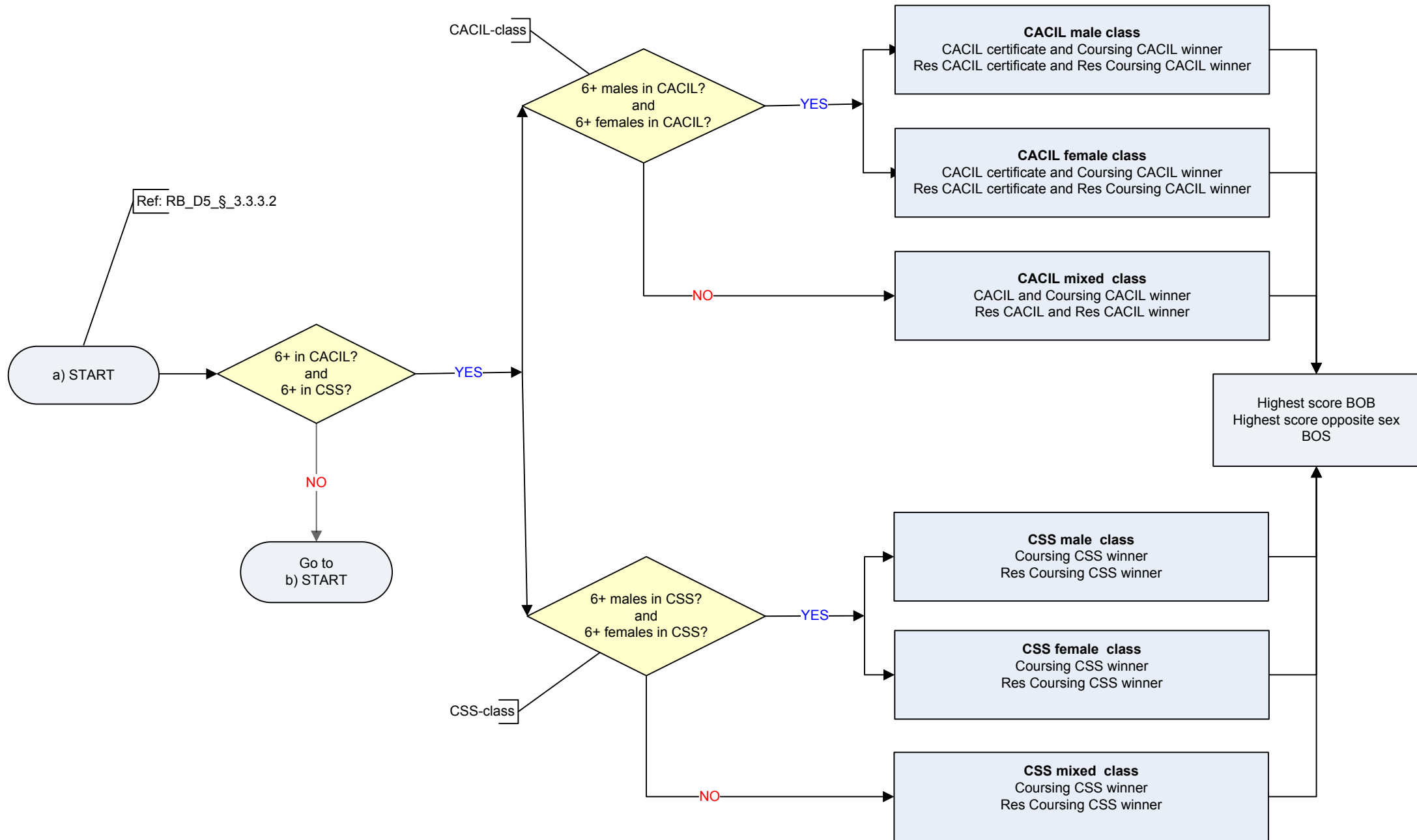
3.3.3.2 c)

2,3,4, or 5 participating dogs of the breed, CACIL and CSS class run together

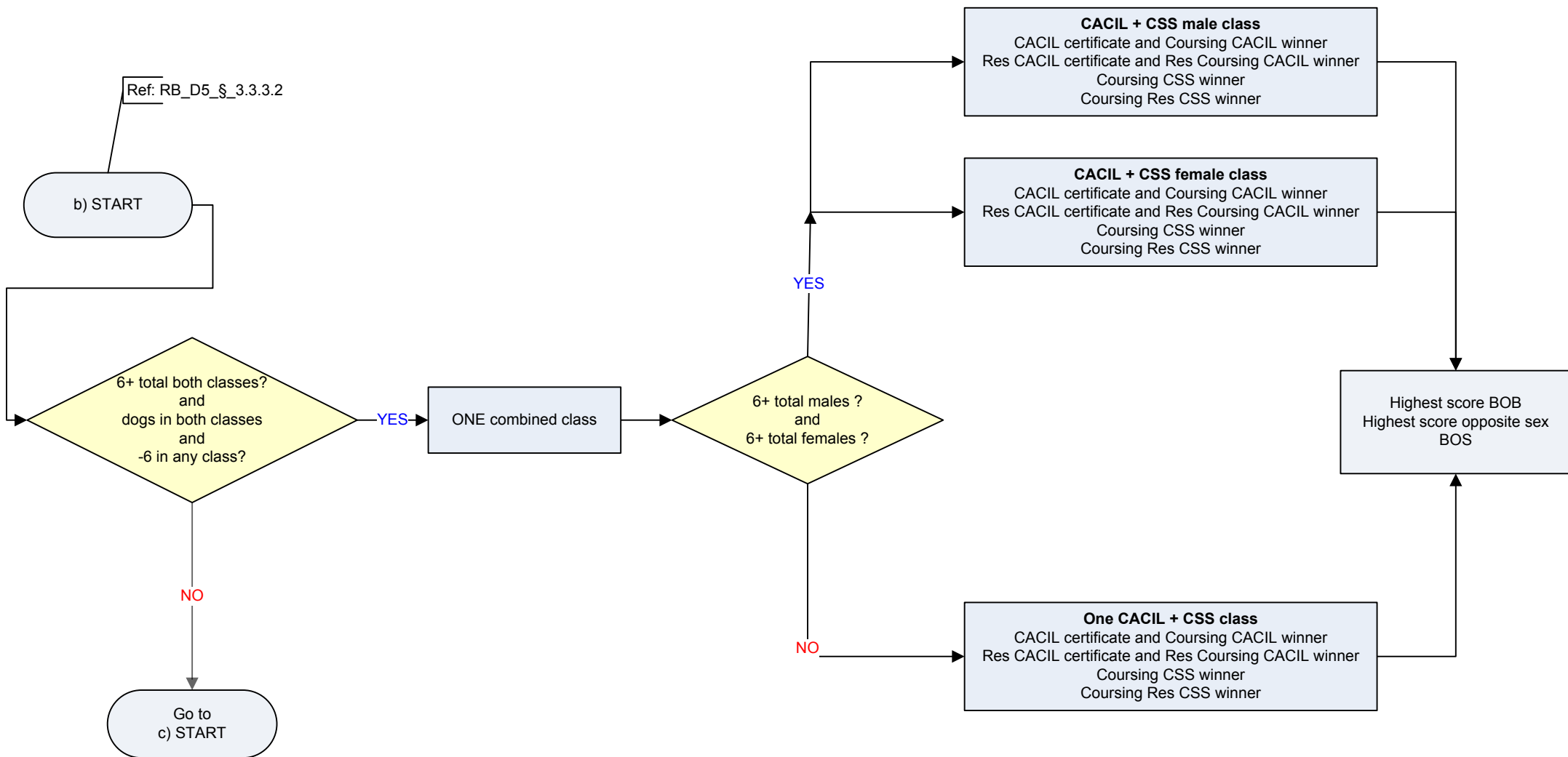
- No achievements or certificates are awarded

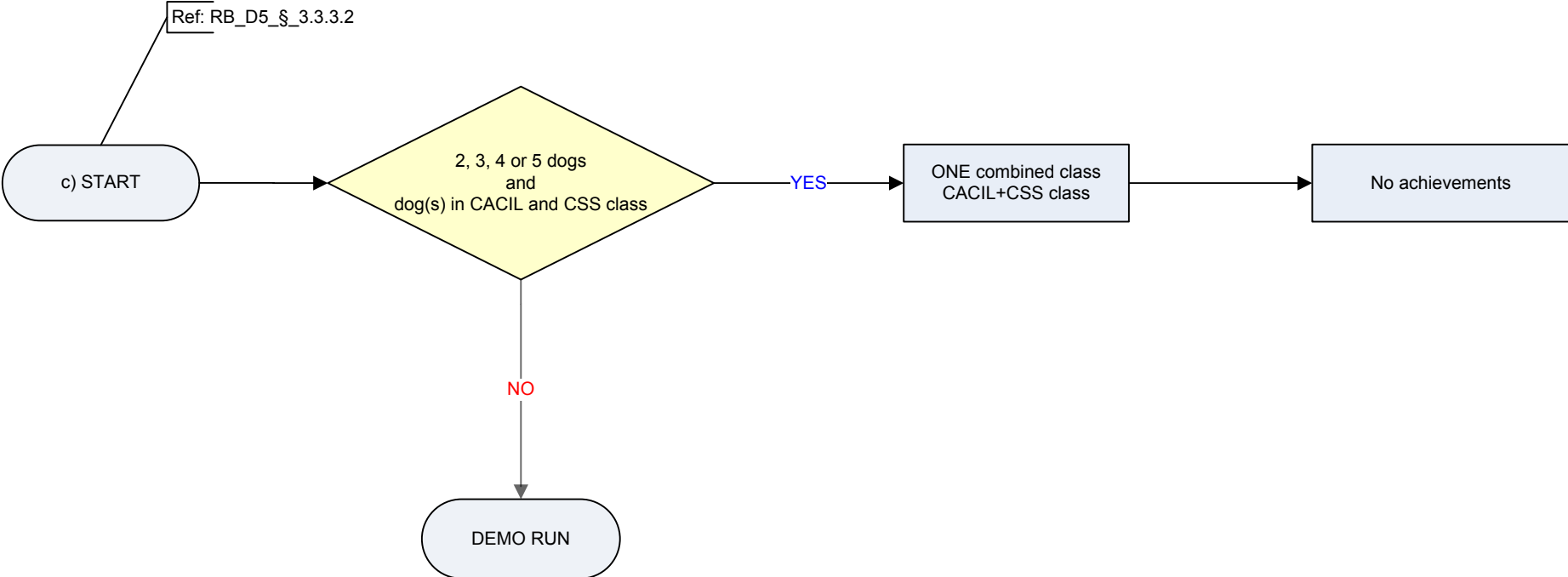
See also flowcharts

FCI/CSS Rule Book Class Separation Lure Coursing

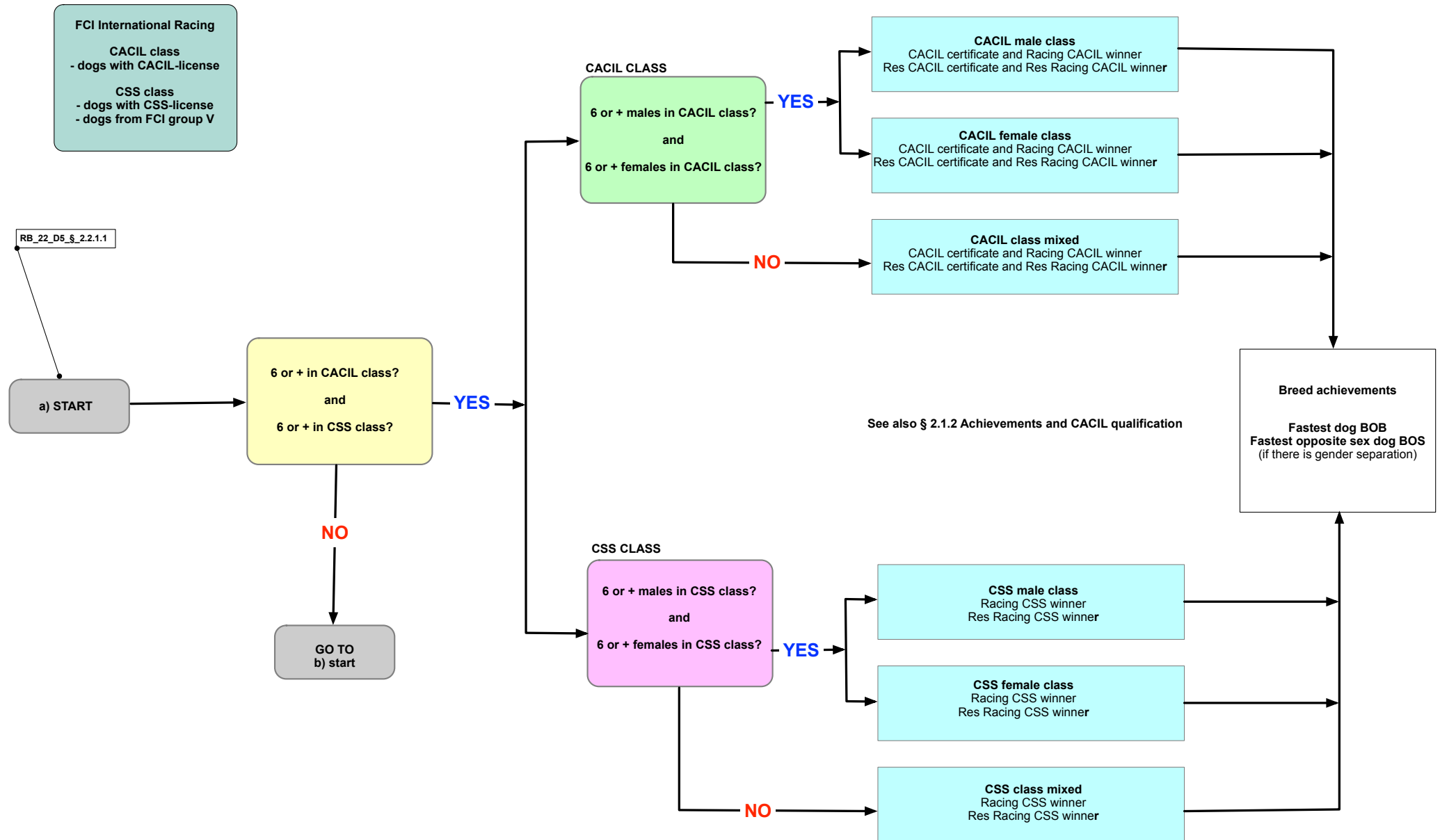


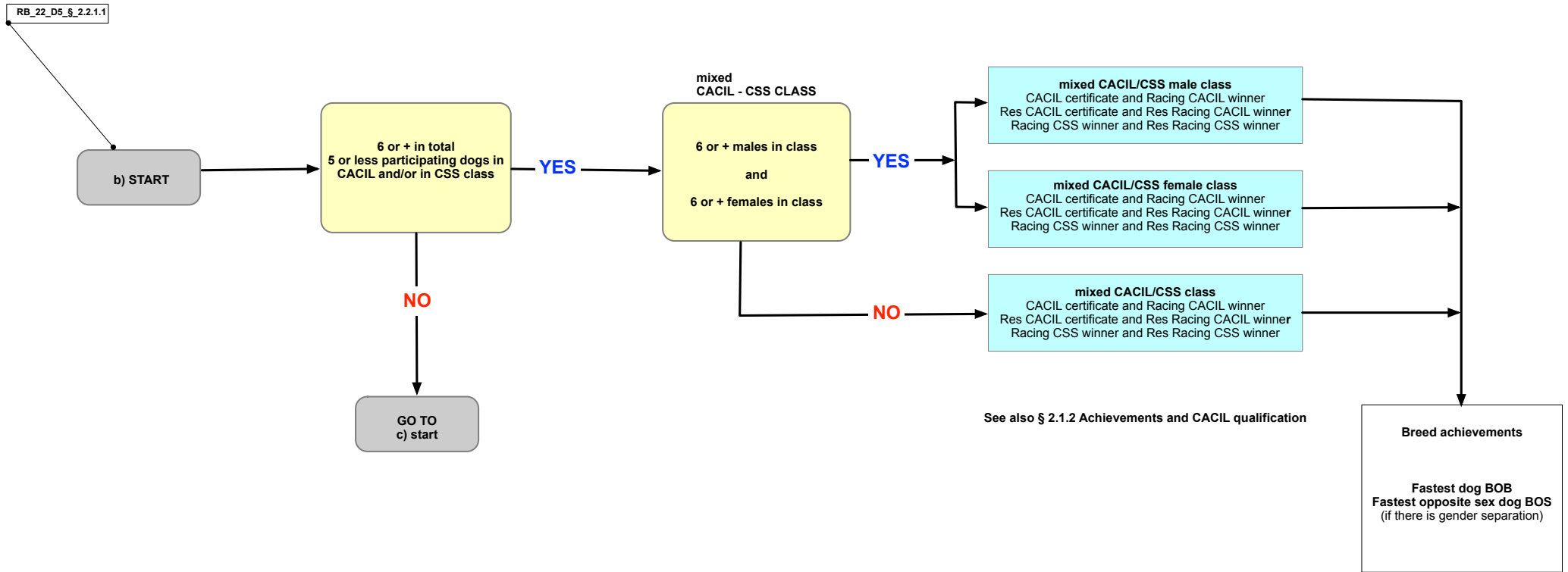
FCI/CSS Rule Book Class Separation Lure Coursing





FCI/CSS Rule Book Class Separation Racing





RB_22_D5_§_2.2.1.1

c) START

3, 4 or 5 dogs total
in breed

YES

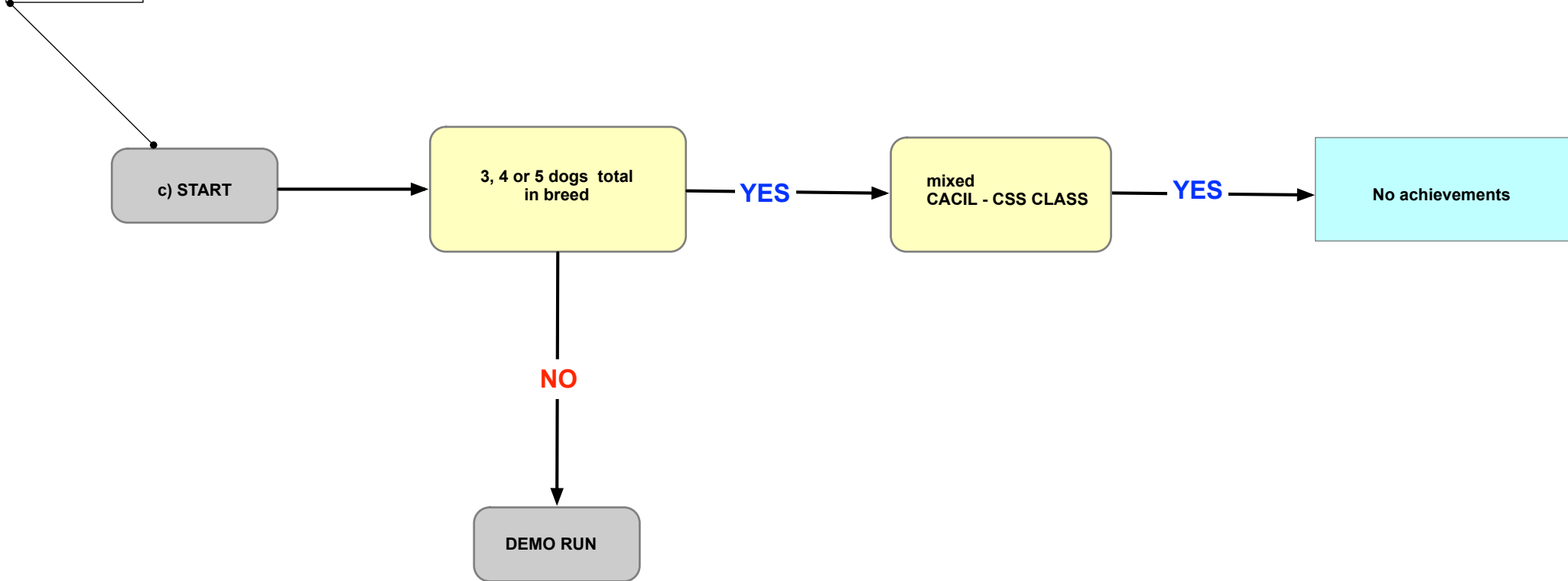
mixed
CACIL - CSS CLASS

YES

No achievements

NO

DEMO RUN



FCI/CSS Rule Book Class Separation Racing

